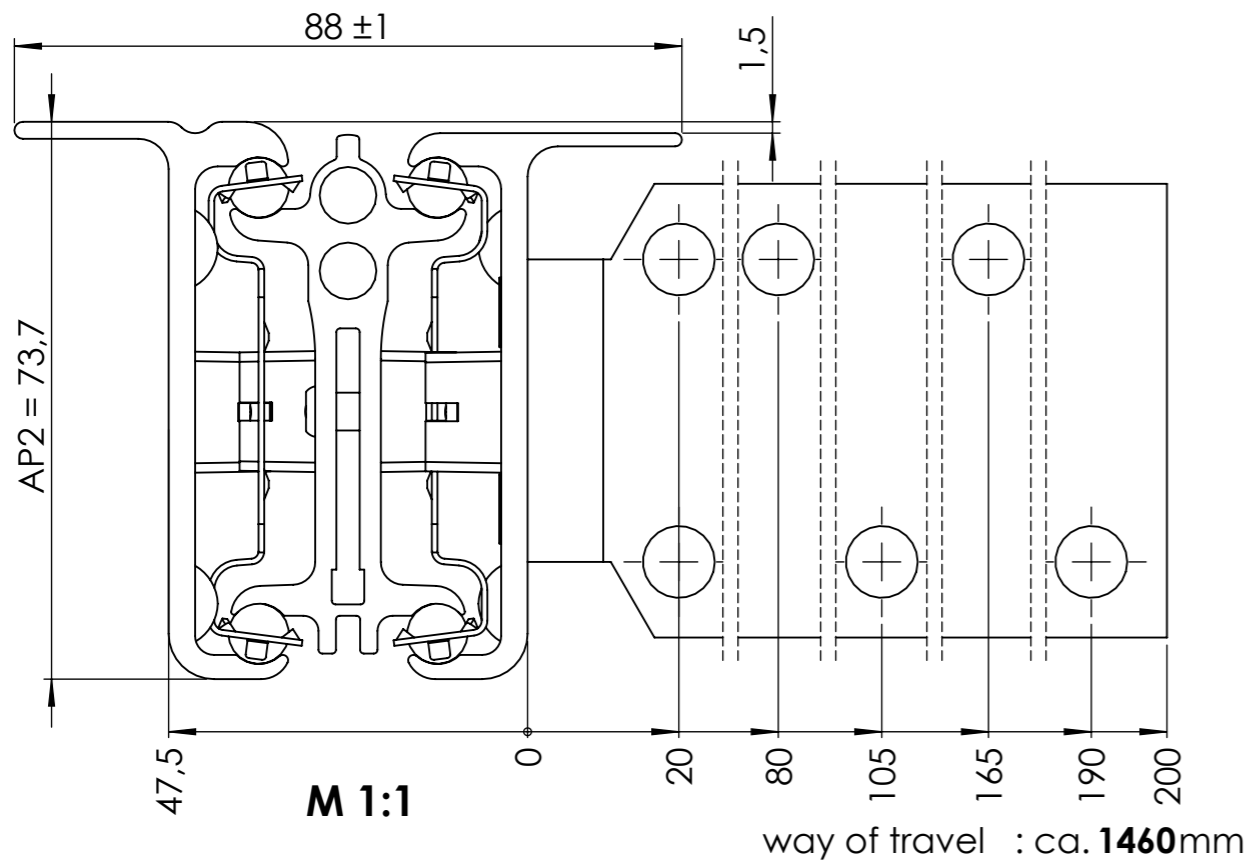
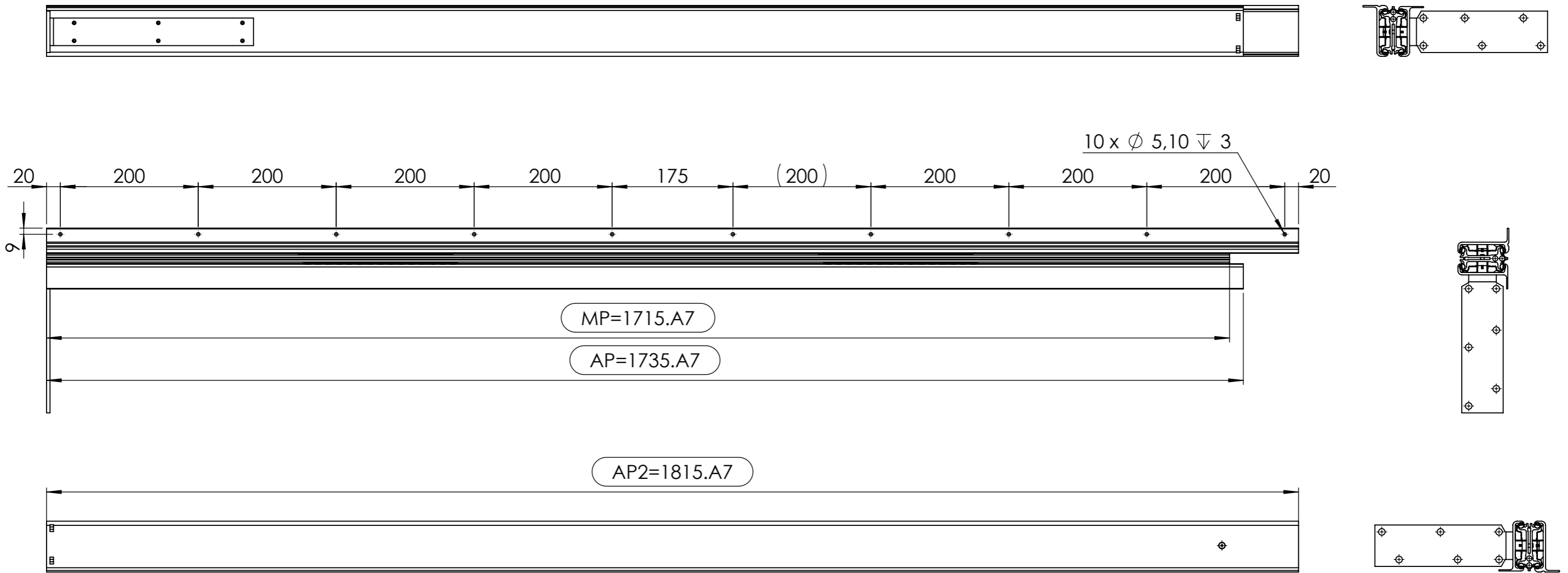
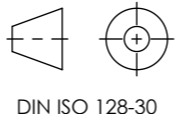


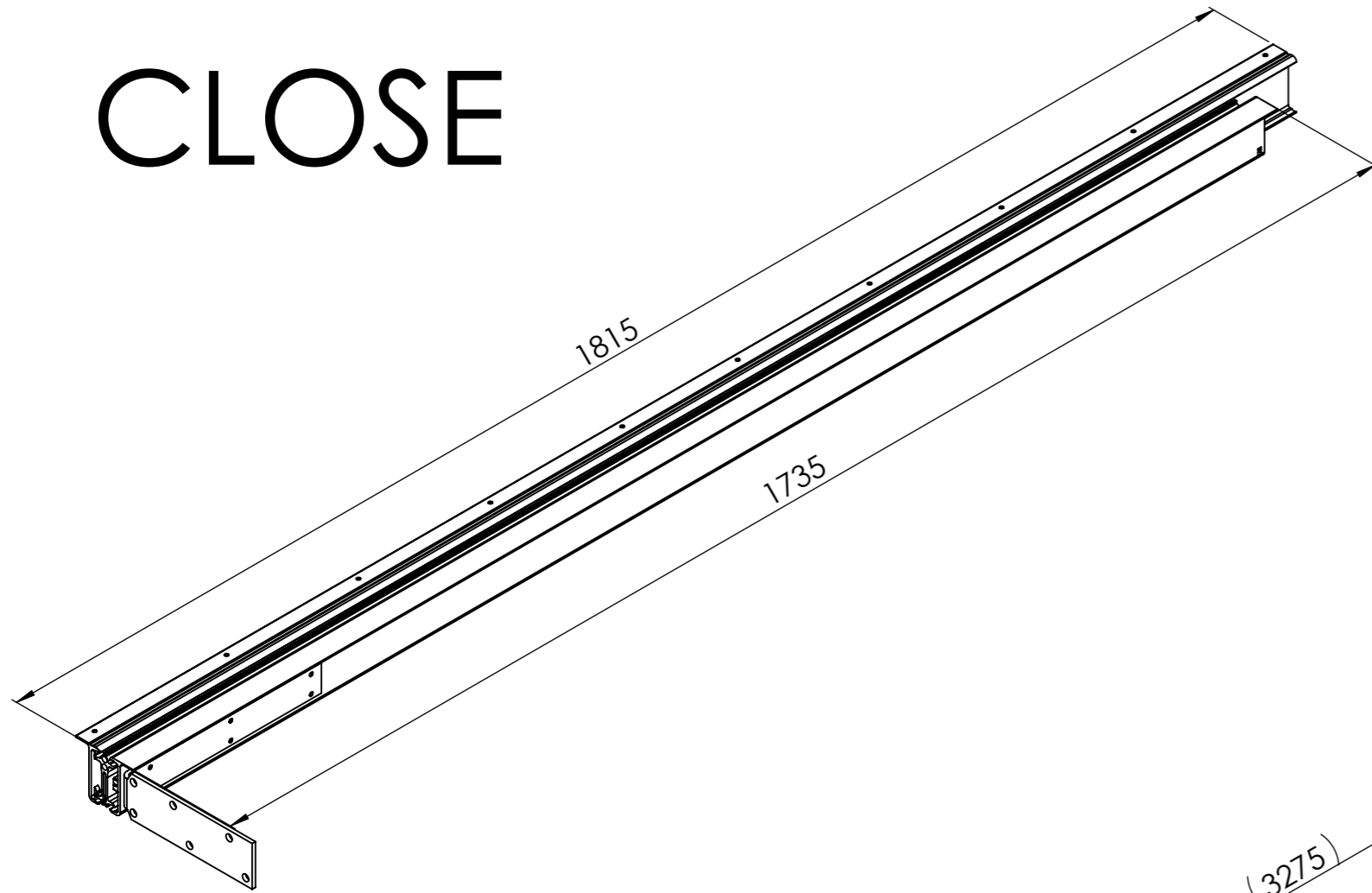
All property rights and rights to exploitation of copyright for this drawing data remain ours; they may not be made available to third parties without our consent.



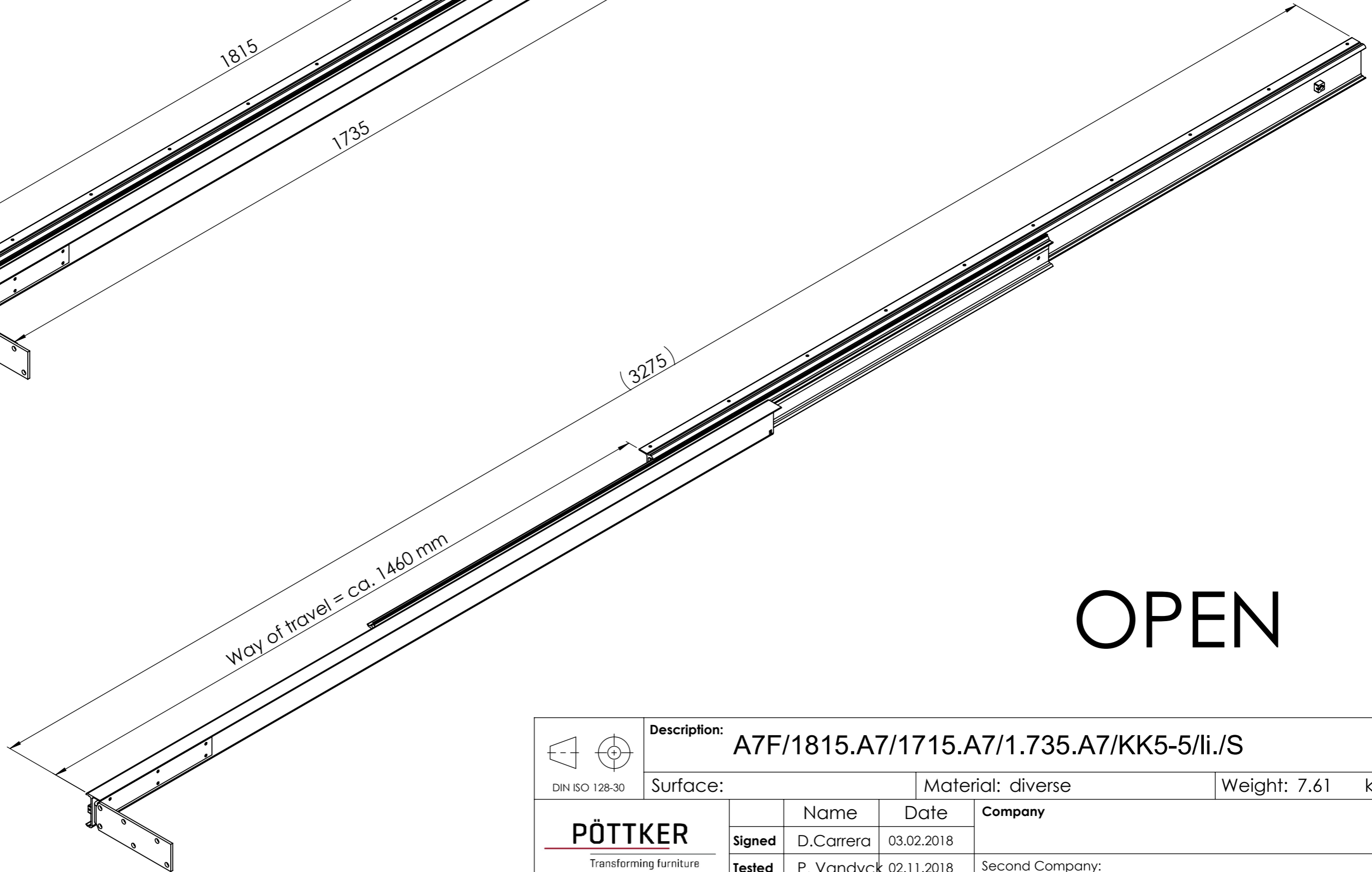
Index	Change			Date	Name
 DIN ISO 128-30	Description: <b>A7F/1815.A7/1715.A7/1.735.A7/KK5-5/li./S</b>				
	Surface:			Material: diverse	
<b>PÖTTKER</b> Transforming furniture	Name	Date	Company		
	Signed	D.Carrera	03.02.2018		
	Tested	P. Vandyck	02.11.2018	Second Company:	
General tolerance: DIN ISO 2768 - m		Item No:	<b>77181818</b>	Scale	1:6
			Page	1/6	<b>A3</b>

All property rights and rights to exploitation of copyright for this drawing data remain ours; they may not be made available to third parties without our consent.

# CLOSE

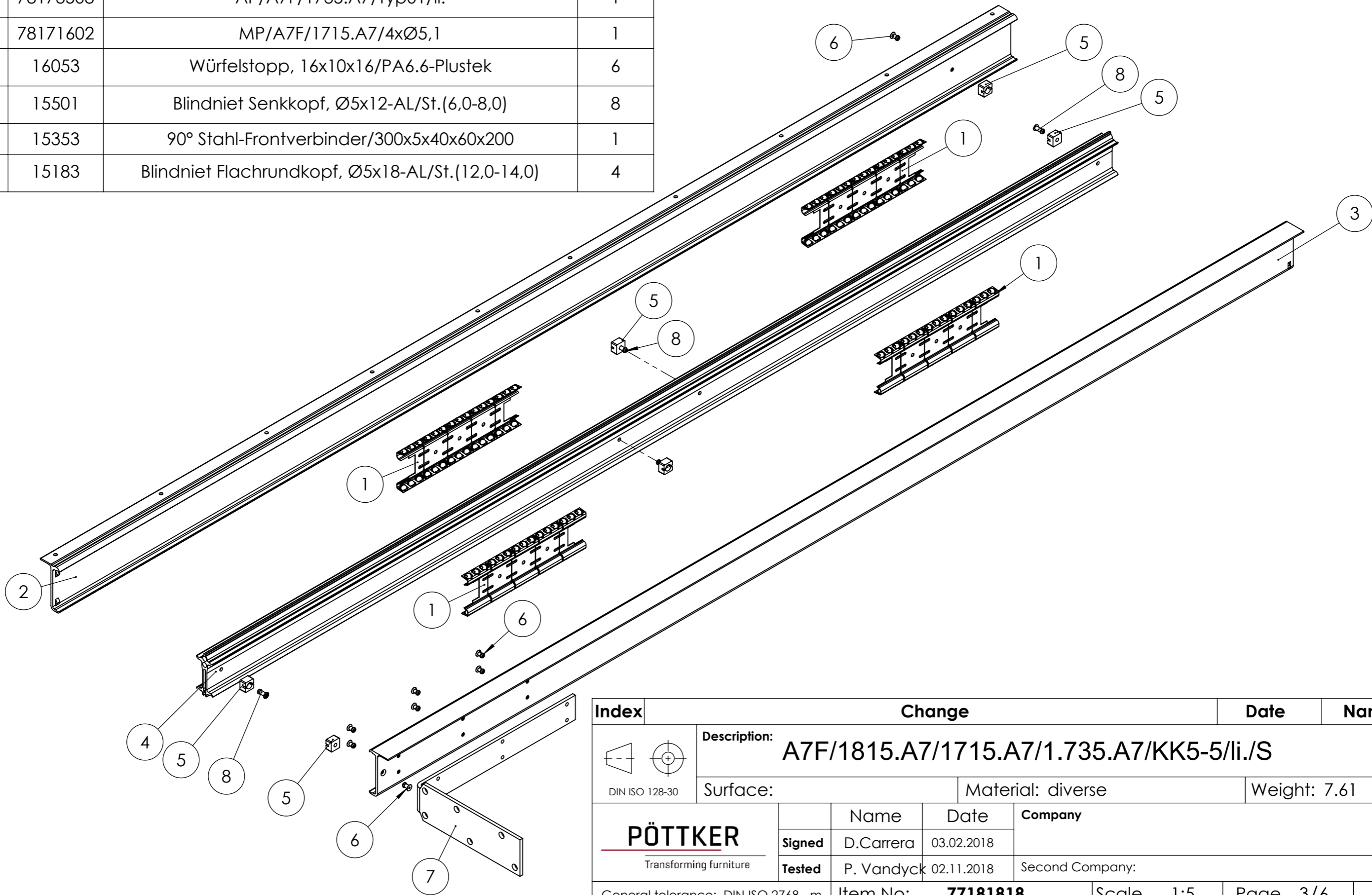


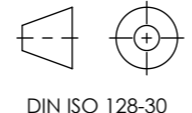

# OPEN



<p>DIN ISO 128-30</p>	<b>Description:</b> A7F/1815.A7/1715.A7/1.735.A7/KK5-5/li./S				
	<b>Surface:</b>		<b>Material:</b> diverse		<b>Weight:</b> 7.61 kg
<p>Transforming furniture</p>	<b>Name</b>	<b>Date</b>	<b>Company</b>		
	<b>Signed</b>	D.Carrera	03.02.2018	<b>Second Company:</b>	
<b>Tested</b>	P. Vandyck	02.11.2018			
<b>General tolerance:</b> DIN ISO 2768 - m		<b>Item No:</b> 77181818	<b>Scale:</b> 1:7	<b>Page:</b> 2/6	<b>A3</b>

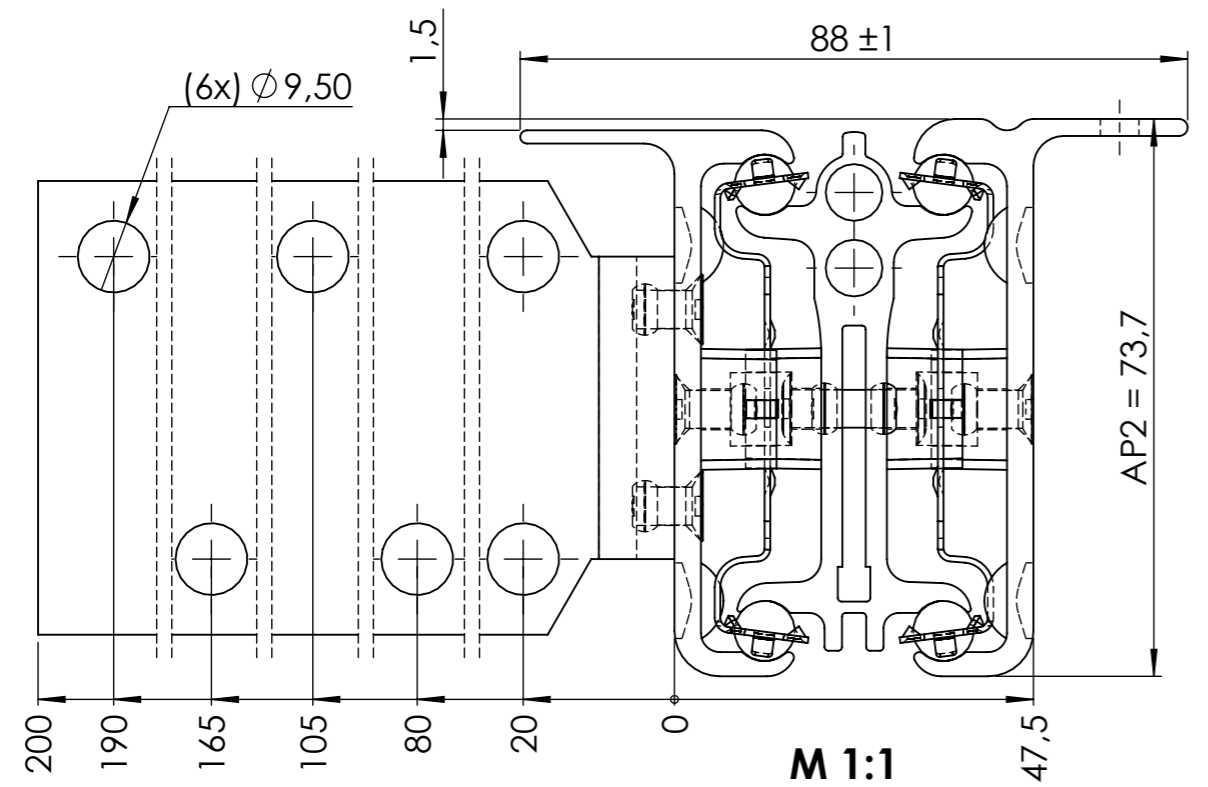
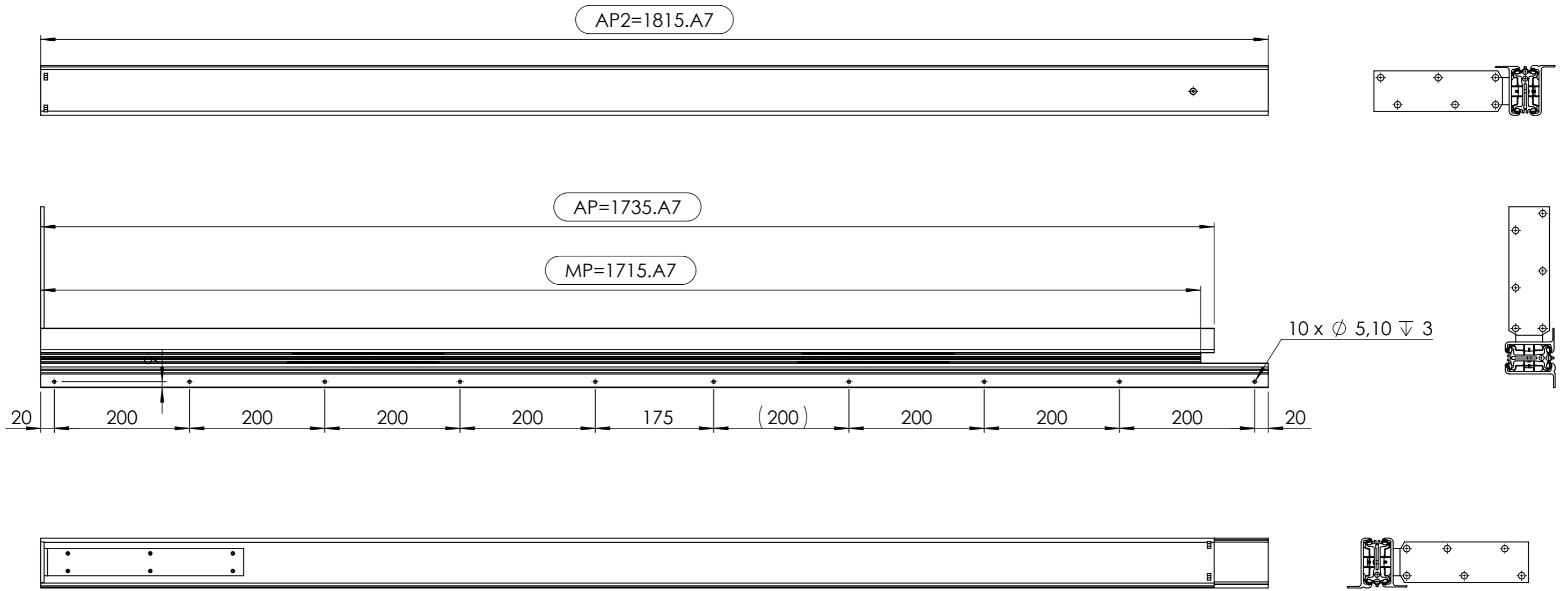
POS.	Item.No	Artikelbezeichnung	Menge
1	78990336	KK77_5_Al-Al_Elox	4
2	78181506	AP2/A7F/1815.A7/Typ01/li.	1
3	78173508	AP/A7F/1735.A7/Typ01/li.	1
4	78171602	MP/A7F/1715.A7/4xØ5,1	1
5	16053	Würfelpstopp, 16x10x16/PA6.6-Plustek	6
6	15501	Blindniet Senkkopf, Ø5x12-AL/St.(6,0-8,0)	8
7	15353	90° Stahl-Frontverbinder/300x5x40x60x200	1
8	15183	Blindniet Flachrundkopf, Ø5x18-AL/St.(12,0-14,0)	4



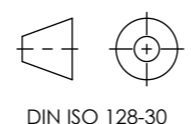
Index	Change		Date	Name
 DIN ISO 128-30	Description: <b>A7F/1815.A7/1715.A7/1.735.A7/KK5-5/li./S</b>			
	Surface:		Material: diverse	Weight: 7.61 kg
 PÖTTKER Transforming furniture	Signed	D.Carrera	03.02.2018	Company
	Tested	P. Vandyck	02.11.2018	
General tolerance: DIN ISO 2768 - m		Item No: <b>77181818</b>	Scale 1:5	Page 3/6

All property rights and rights to exploitation of copyright for this drawing data remain ours; they may not be made available to third parties without our consent.

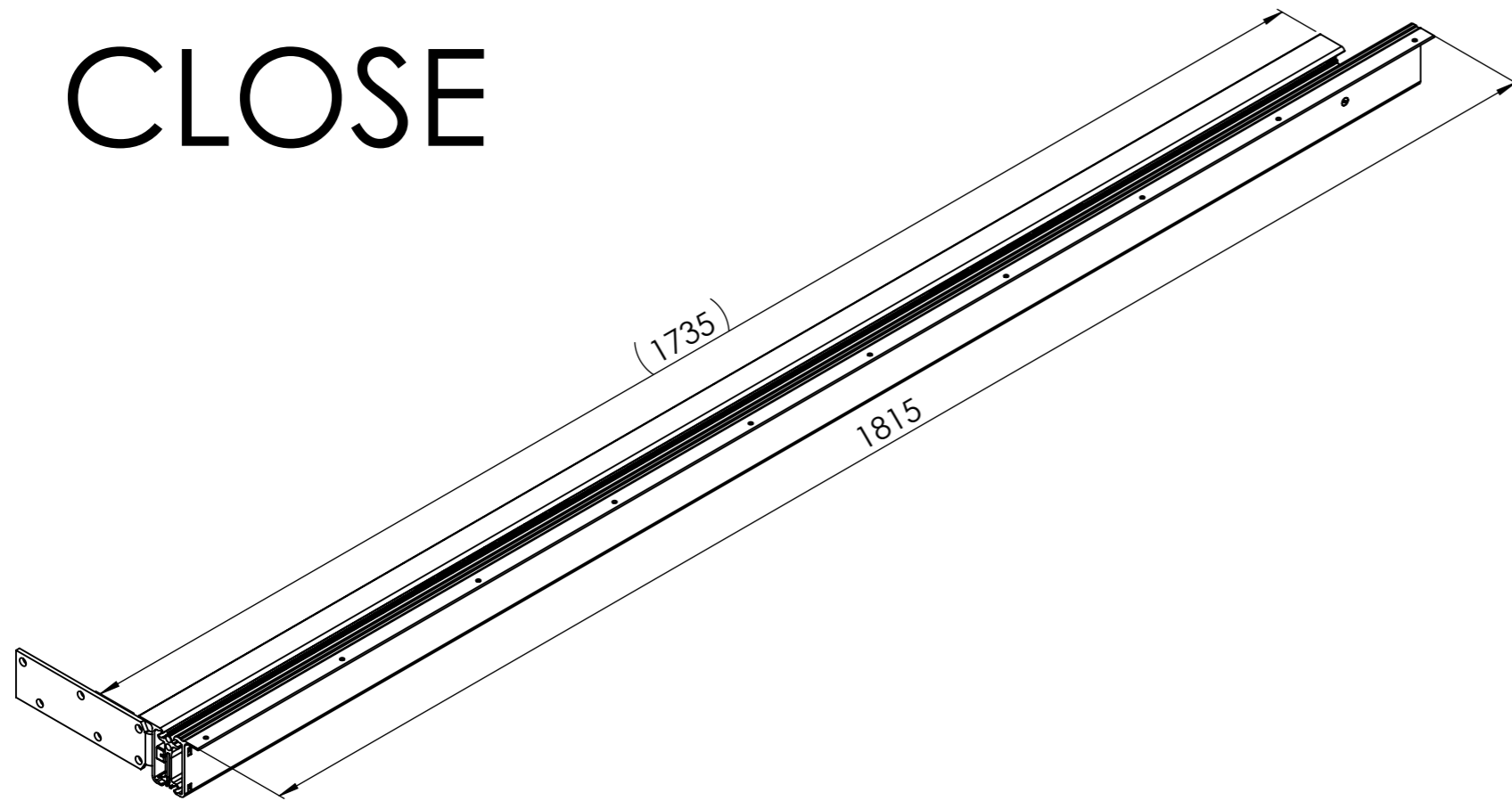
All property rights and rights to exploitation of copyright for this drawing data remain ours; they may not be made available to third parties without our consent.



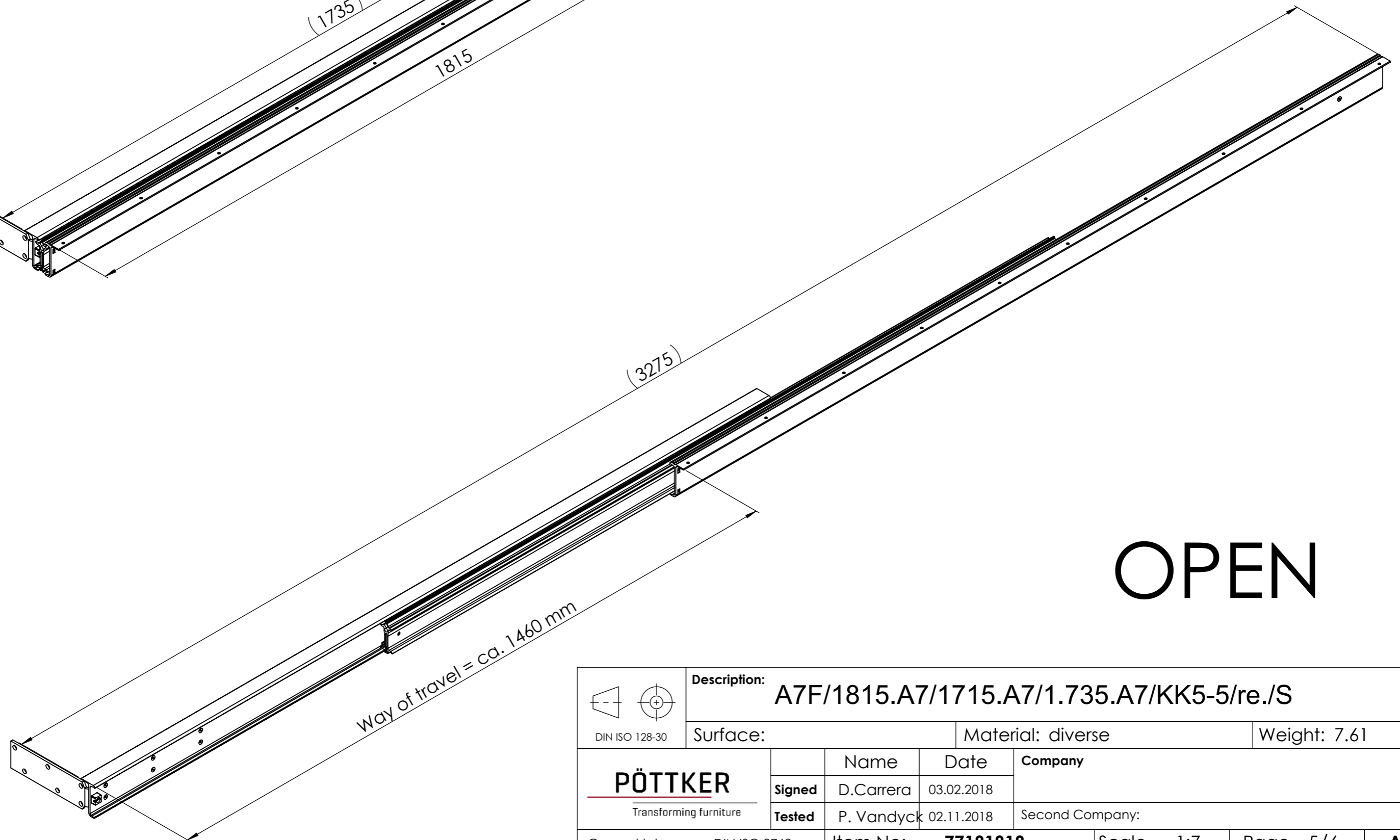
way of travel : ca. **1460**mm

Index	Change			Date	Name
 DIN ISO 128-30	<b>Description:</b> A7F/1815.A7/1715.A7/1.735.A7/KK5-5/re./S				
	<b>Surface:</b>		<b>Material:</b> diverse		<b>Weight:</b> 7.61 kg
<b>PÖTTKER</b> Transforming furniture	<b>Signed</b>	Name D.Carrera	Date 03.02.2018	Company	
	<b>Tested</b>	P. Vandyck	02.11.2018	Second Company:	
General tolerance: DIN ISO 2768 - m		Item No: <b>77181818</b>	Scale 1:6	Page 4/6	<b>A3</b>

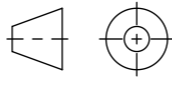

# CLOSE



# OPEN



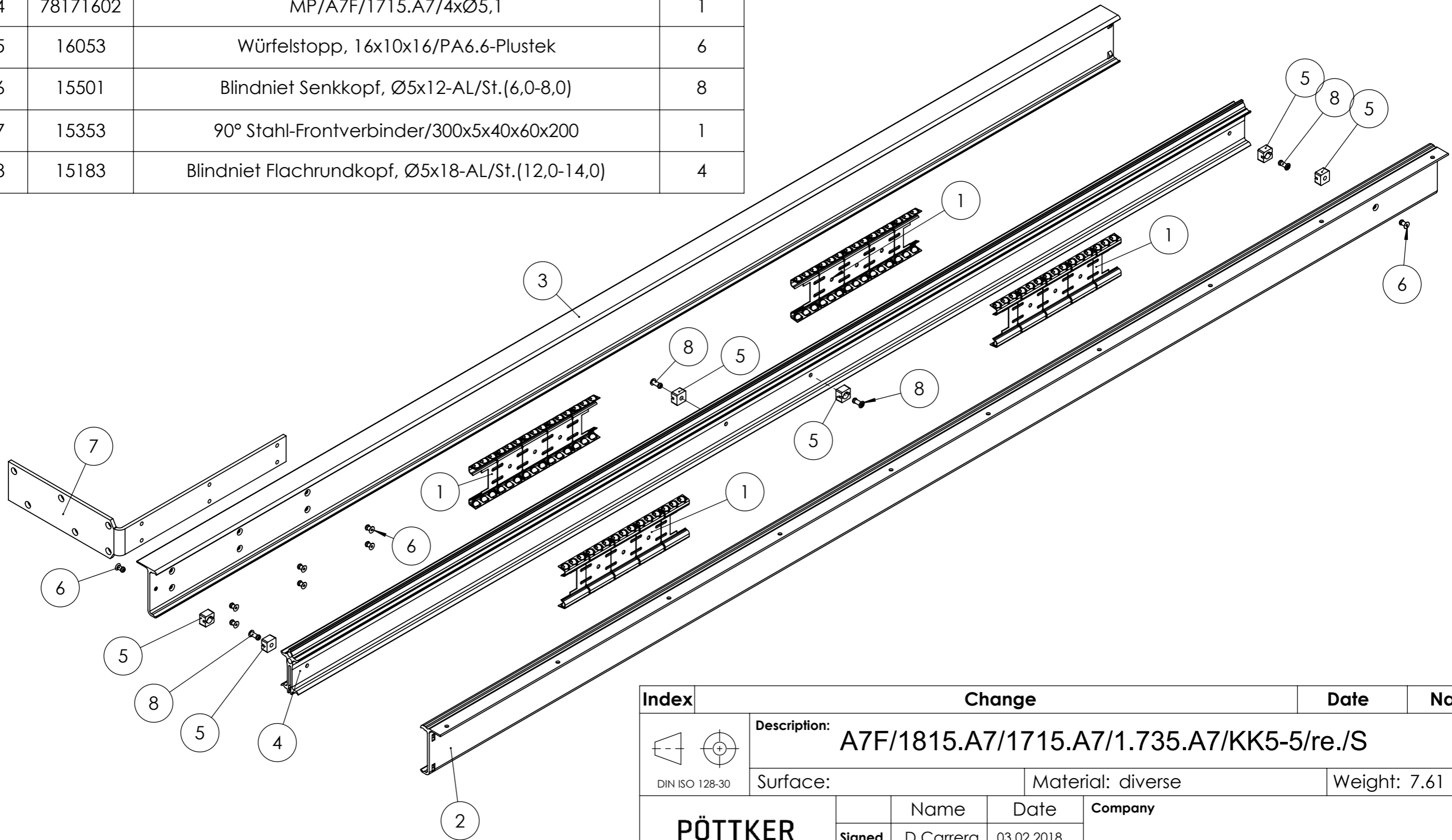
Way of travel = ca. 1460 mm

 DIN ISO 128-30	<b>Description:</b> A7F/1815.A7/1715.A7/1.735.A7/KK5-5/re./S		
	<b>Surface:</b>		<b>Material:</b> diverse
<b>Weight:</b> 7.61 kg			
 Transforming furniture	<b>Name</b>	<b>Date</b>	<b>Company</b>
	<b>Signed</b> D.Carrera	03.02.2018	
<b>Tested</b> P. Vandyck	02.11.2018	Second Company:	
<b>General tolerance:</b> DIN ISO 2768 - m		<b>Item No:</b> 77181818	<b>Scale</b> 1:7
		Page 5/6	<b>A3</b>

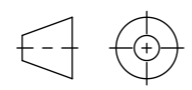

All property rights and rights to exploitation of copyright for this drawing data remain ours; they may not be made available to third parties without our consent.



POS.	Item.No	Artikelbezeichnung	Menge
1	78990336	KK77_5_Al-Al_Elox	4
2	78181507	AP2/A7F/1815.A7/Typ01/re.	1
3	78173507	AP/A7F/1735.A7/Typ01/re.	1
4	78171602	MP/A7F/1715.A7/4xØ5,1	1
5	16053	Wüfelstopp, 16x10x16/PA6.6-Plustek	6
6	15501	Blindniet Senkkopf, Ø5x12-AL/St.(6,0-8,0)	8
7	15353	90° Stahl-Frontverbinder/300x5x40x60x200	1
8	15183	Blindniet Flachrundkopf, Ø5x18-AL/St.(12,0-14,0)	4



way of travel : ca. **1460**mm

Index	Change		Date	Name
 DIN ISO 128-30	Description: <b>A7F/1815.A7/1715.A7/1.735.A7/KK5-5/re./S</b>			
	Surface:		Material: diverse	Weight: 7.61 kg
 Transforming furniture	Name	Date	Company	
	Signed	D.Carrera	03.02.2018	
	Tested	P. Vandyck	02.11.2018	Second Company:
General tolerance: DIN ISO 2768 - m		Item No: <b>77181818</b>	Scale 1:5	Page 6/6 <b>A3</b>

All property rights and rights to exploitation of copyright for this drawing data remain ours; they may not be made available to third parties without our consent.